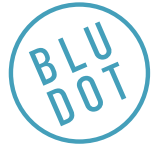
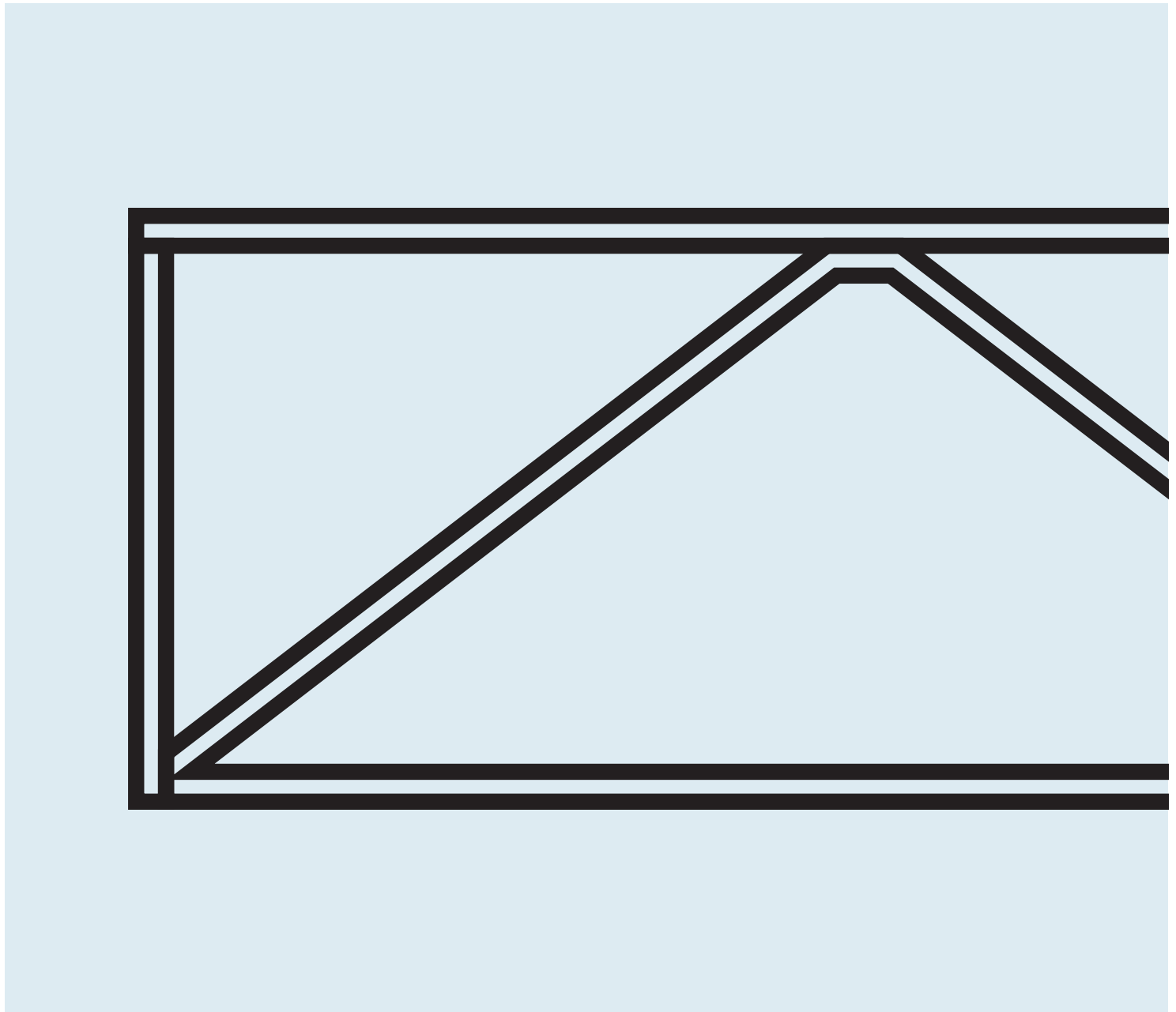


Strut Outdoor Table Collection



DESIGNED IN 2005

ASSEMBLY NOTES | REV 04



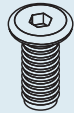
GET OUT.

Structure and design are one with the Strut.
A proud stance for any gathering.

NEED A HAND?

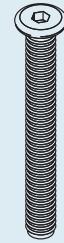
Contact us at service@bludot.com or
844.425.8368 for assistance.

Parts & Hardware



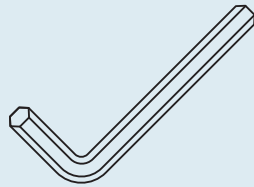
QTY 10

PT. 1083



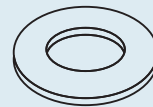
QTY 1*

PT. 1067



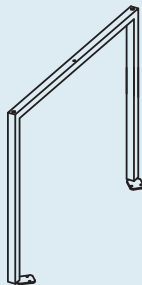
QTY 1

PT. 9004



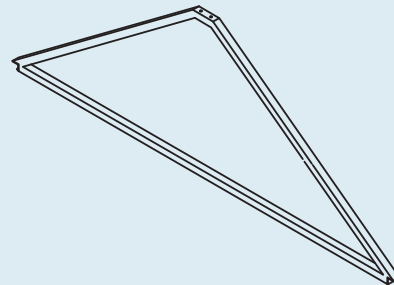
QTY 11*

PT. 3002



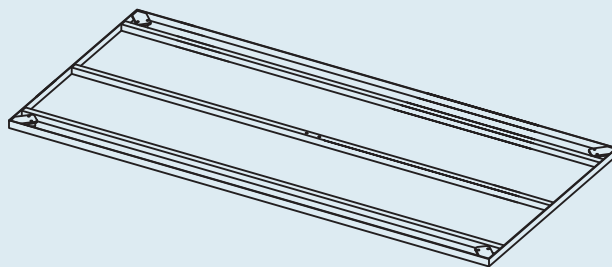
QTY 2

Leg Frame



QTY 1

Strut Support



QTY 1

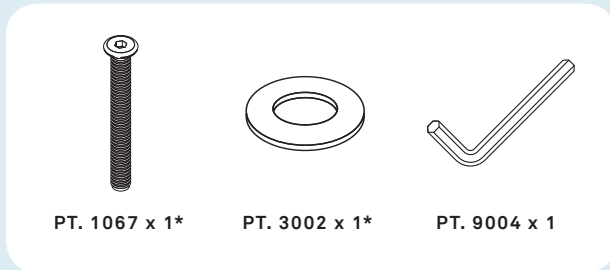
Top

*Outdoor dining table ships with x1 additional hardware.

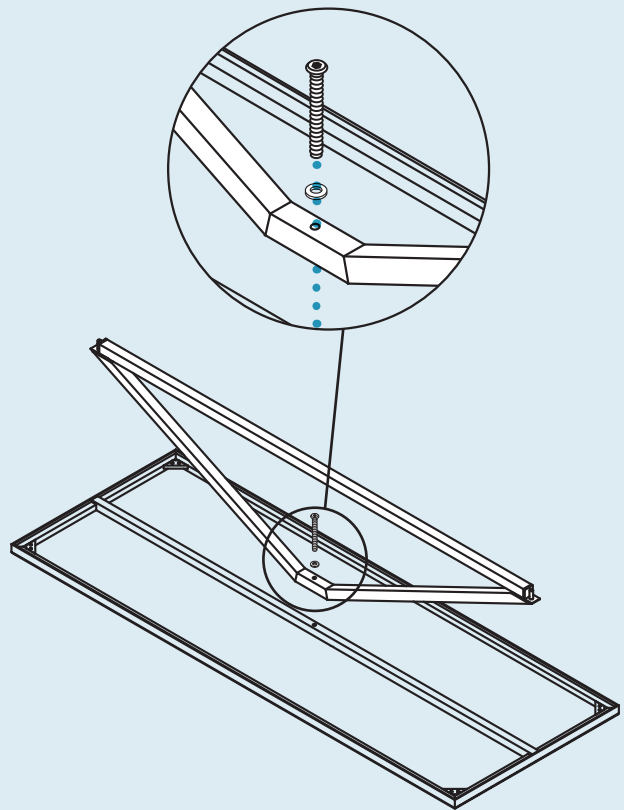
Step 01

ATTACHING THE CENTER SUPPORT.

Place the top face of the top panel on a soft surface. Attach the center strut support as shown using the provided hardware.



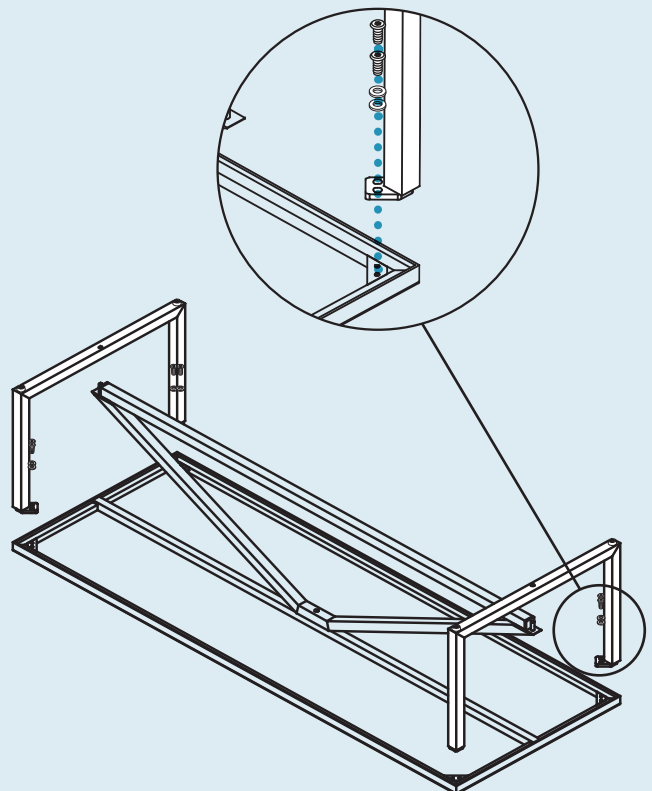
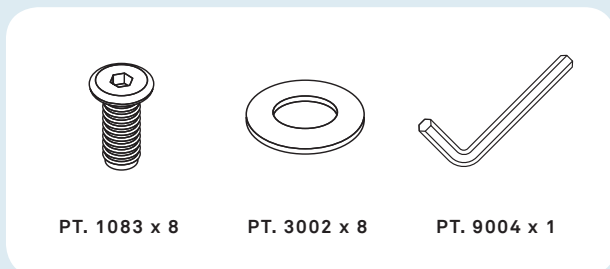
*Outdoor dining table ships with x1 additional hardware.



Step 02

ATTACHING THE LEG FRAMES.

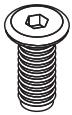
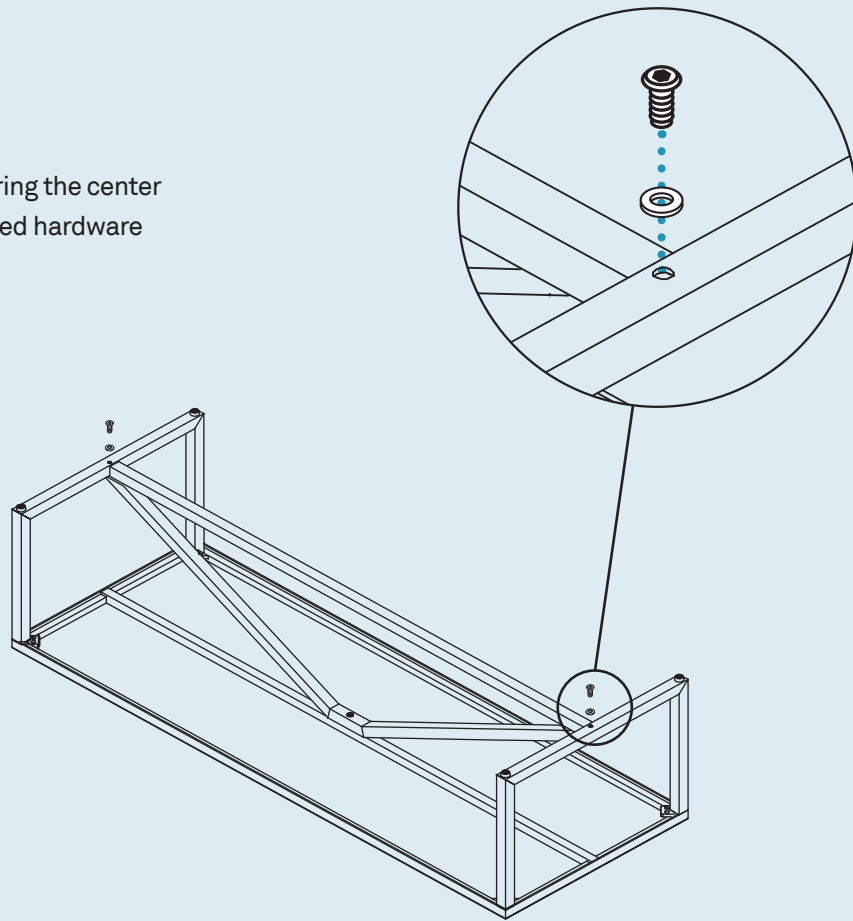
Attach the leg frames as shown using the provided hardware.



Step 03

FINISHING THE ASSEMBLY.

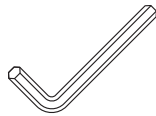
Finish the assembly by securing the center strut support with the provided hardware as shown.



PT. 1083 x 2



PT. 3002 x 2



PT. 9004 x 1

Additional Information

CLEAN

Clean with a slightly damp, soft cloth. To remove dirt and fingerprints, use a quality cleaner formulated for painted furniture. Wipe completely dry with a soft cloth.

